

CREALITY

To be the Chief Evangelist

CR-10S Pro Printer

Guide Book

To make Top-quality 3D printer

- ◆ This guide book is for standard CR-10S Pro.
- ◆ Please plug the power cord into a three-hole power jack.
- ◆ Detailed instructions for use are available on the TF card.



V.1.0

Contents

| | | | | | |
|----|--------------------------|---|-----|-----------------------------|----|
| 1. | Introduction..... | 1 | 7. | Bed Leveling..... | 7 |
| 2. | General List..... | 2 | 8. | Software Installation..... | 9 |
| 3. | Device Installation..... | 3 | 9. | For the First Printing..... | 10 |
| 4. | Cable Connection..... | 4 | 10. | Circuit Wiring..... | 11 |
| 5. | Screen Information..... | 5 | 11. | After-Sales Services..... | 12 |
| 6. | Loading Filament..... | 6 | | | |

Preface

Dear consumers,

Thank you for choosing our products. For the best experience, please read the instructions before operating the Printer. Our 3D team will always be ready to give you the best service. Please contact us via the phone number or e-mail address provided at the end when you encounter any problem with the Printer.

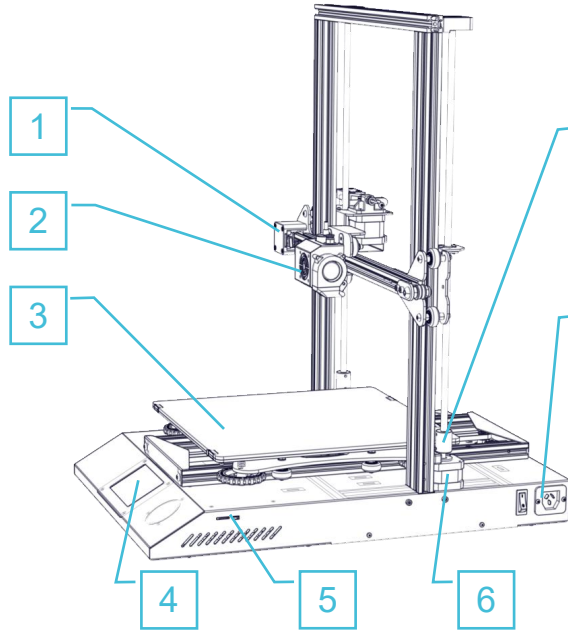
For a better experience in using our product, you may learn how to use the Printer in the following ways:

1. View the accompanied instructions and videos on the TF card.
2. Visit our official website at www.creality3d.cn You will find relevant software/hardware information, contact details and operation and maintenance instructions on the website.

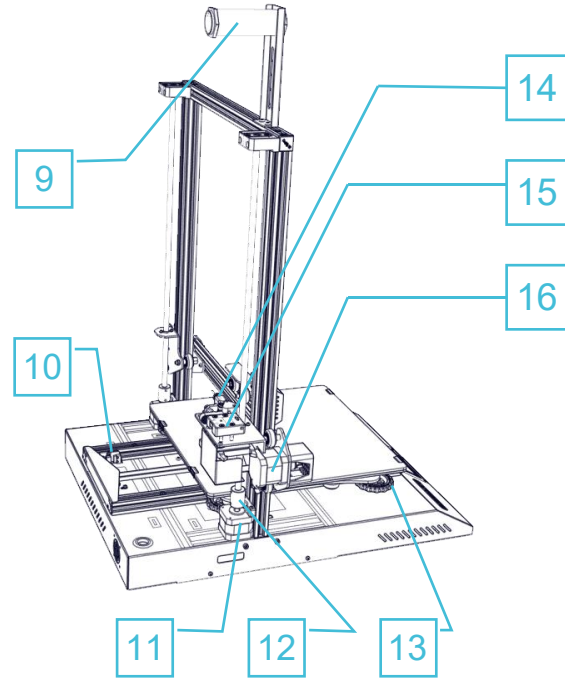
Notes

1. Do not use the printer any way other than described herein in order to avoid personal injury or property damage.
2. Do not place the printer near any heat source or flammable or explosive objects. We suggest placing it in a well-ventilated, low-dust environment.
3. Do not expose the printer to violent vibration or any unstable environment, as this may cause poor print quality.
4. Before using experimental or exotic filaments, we suggest using standard filaments such as ABS or PLA to calibrate and test the machine.
5. Do not use any other power cable except the one supplied. Always use a grounded three-prong power outlet.
6. Do not touch the nozzle or printing surface during operation as they may be hot. Keep hands away from machine while in use to avoid burns or personal injury.
7. Do not wear gloves or loose clothing when operating the printer. Such cloths may become tangled in the printers moving parts leading to burns, possible bodily injury, or printer damage.
8. When cleaning debris from the printer hotend, always use the provided tools. Do not touch the nozzle directly when heated. This can cause personal injury.
9. Clean the printer frequently. Always turn the power off when cleaning, and wipe with a dry cloth to remove dust, adhered printing plastics or any other material off the frame, guide rails, or wheels . Use glass cleaner or isopropyl alcohol to clean the print surface before every print for consistent results.
10. Children under 10 years of age should not use the printer without supervision.

1. Introduction



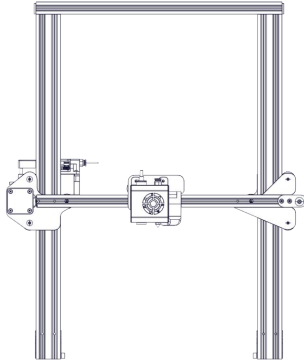
- 1. X Limit switch
- 2. Nozzle kit
- 3. Hot bed
- 4. Touch screen
- 5. TF slot & USB port
- 6. Z-axis motor (Z2)
- 7. Z-axis coupler (Z2)
- 8. Power switch & Power socket



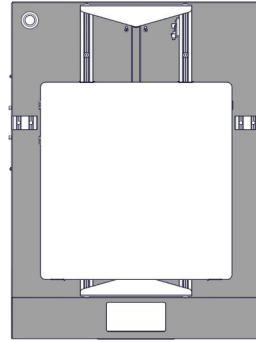
- 9. Filament holder
- 10. Y Limit switch
- 11. Z-axis motor (Z1)
- 12. Coupler (Z1)
- 13. XL bed-leveling nut
- 14. Extruder (E) motor
- 15. Filament detector
- 16. X-axis motor

2.General List

Base Frame



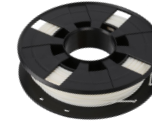
Gantry Frame



Tool Box



Filament (200g)



◆ Tool List

| No. | Image | Name | Qty |
|-----|-------|-----------------------|-----|
| 1 | | Wrench & Screw driver | 8 |
| 2 | | TF Card & Reader | 2 |
| 3 | | Spatula | 1 |
| 4 | | Pliers | 1 |
| 5 | | 0.4mm Nozzle Cleaner | 1 |

| No. | Image | Name | Qty |
|-----|-------|---------------------------|-----|
| 6 | | Filament Holder Bracket | 1 |
| 7 | | Filament Holder Tube | 1 |
| 8 | | Filament Holder Tube Nuts | 2 |
| 9 | | Power Cable | 1 |
| 10 | | USB Cable | 1 |

| No. | Image | Name | Qty |
|-----|-------|--------------------------------------|-----|
| 11 | | PTFE Tube | 1 |
| 12 | | X-Axis Spacer | 1 |
| 13 | | Feeler | 1 |
| 14 | | Spare Parts | 2 |
| 15 | | M5X25 black Hex-Bolt and Lock Washer | 4 |
| 16 | | M4X8 Screw and M4 T-nut | 2 |

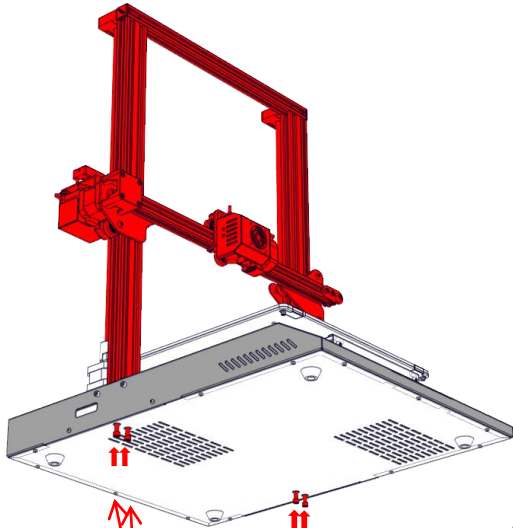
3. Device Installation

M5X25 4pcs

X-Axis Spacer

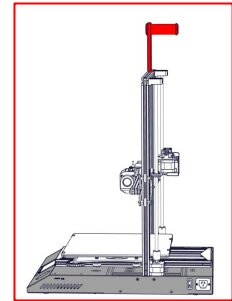
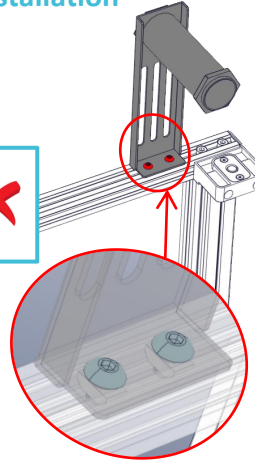
M4X8 2pcs
M4 T-nut 2pcs

Gantry Frame Installation



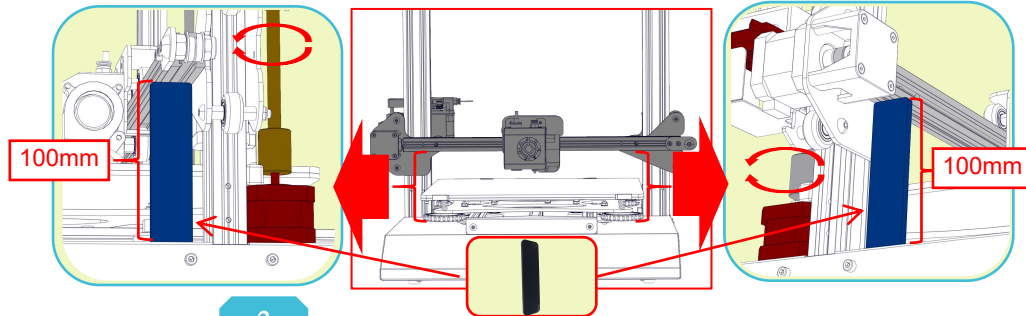
M5X25

Filament Holder Installation

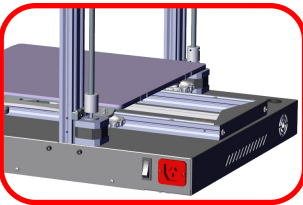
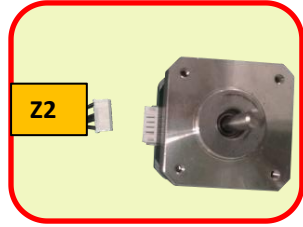


M4X8 & T-nut
2pcs

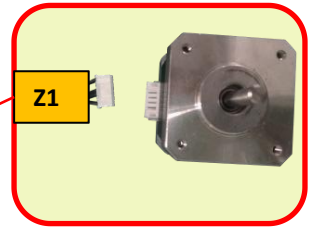
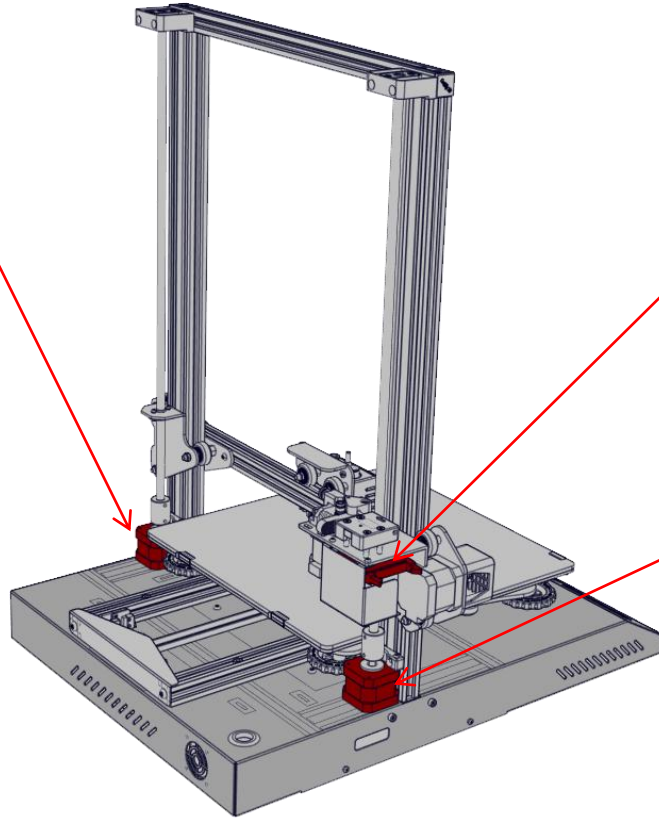
X axis adjustment



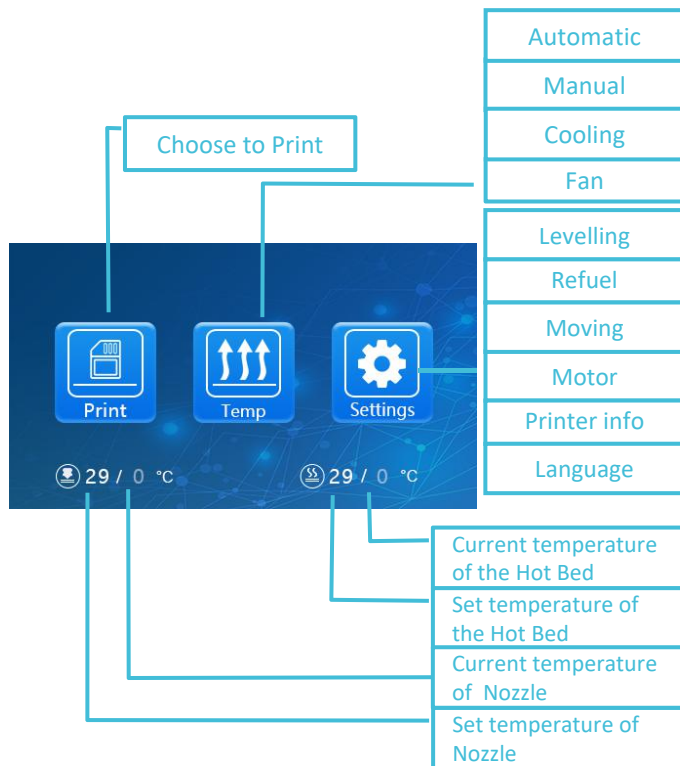
4. Cable Connection



*Plug the power cord into a three-hole power jack.



5. Screen Information



| Screen Information | | | | | |
|--------------------|---------------|---|--|--------|--------|
| Main Menu | Sub Menu | Explanation | | | |
| TF card | Selected file | Stop | | | |
| | | Pause/Continue | | | |
| | | Adjust | Print speed | | |
| | | | Nozzle temp. | | |
| | | | Hot-bed temp | | |
| | | | Z offset | | |
| fan | | | | | |
| Temp | Automatic | PLA\ABS (195°\240°) | | | |
| | Manual | Nozzle preheat | | | |
| | | Hot-bed preheat | | | |
| | Cooling | Cool down? Yes\No | | | |
| | Fan | Turn on\Shut down | | | |
| Setting | Levelling | Z-axis: Z home, +0.1mm,-0.1mm | | | |
| | | AUX leveling | Please click numbers to assist levelling (①~⑤) | | |
| | | AUTO leveling | Auto leveling, please wait... | | |
| | | Check level (Measurement parameters) | | | |
| | Refuel | Withdraw | | | |
| | | Feed | | | |
| | Moving | X-axis | Y-axis | Z-axis | Z home |
| | Motor off | yes\no | | | |
| | Language | English\Chinese | | | |
| | Printer info | Machine type、Firmware version、Printing size、website | | | |

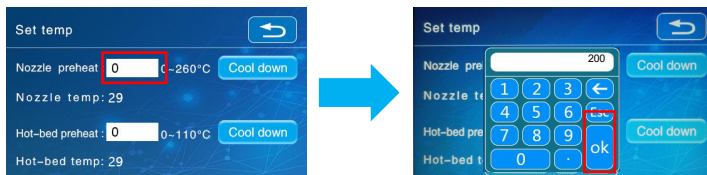
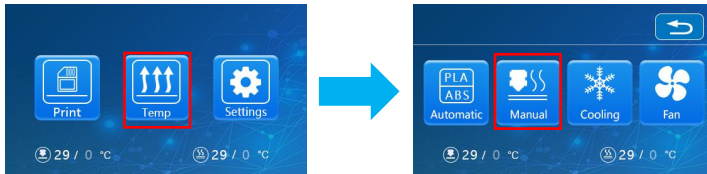
6. Loading Filament

◆ Preheat

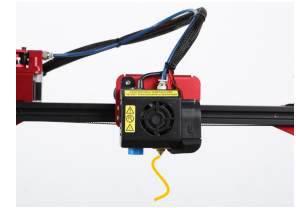
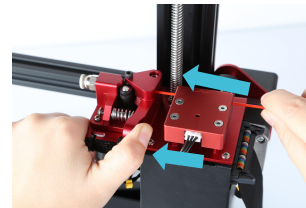
Method 1



Method 2



◆ Feeding

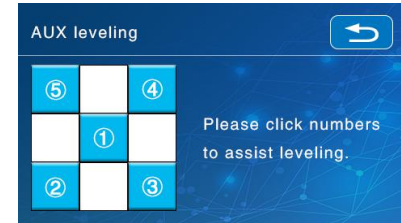
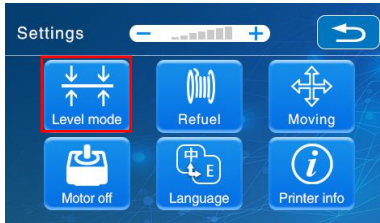
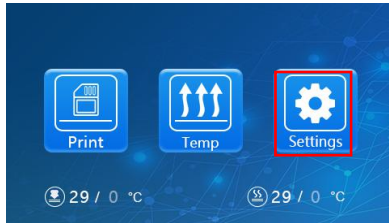


Press and hold the extruder lever and insert the 1.75mm filament through the filament detector and through the extruder motor. Continue feeding until you see filament extrude from the nozzle.

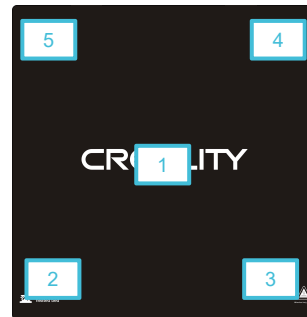
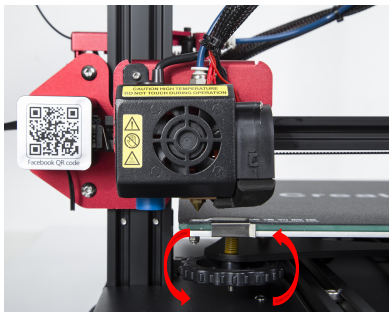
Replacing Filament During Print:

- 1、 Cut the previous filament near the extruder and slowly feed new filament through the filament sensor and extruder, until the new filament is fed into the PTFE tube.
(OR)
- 2、 Preheat the nozzle and withdraw the used filament. Feed the new filament as pictured above.

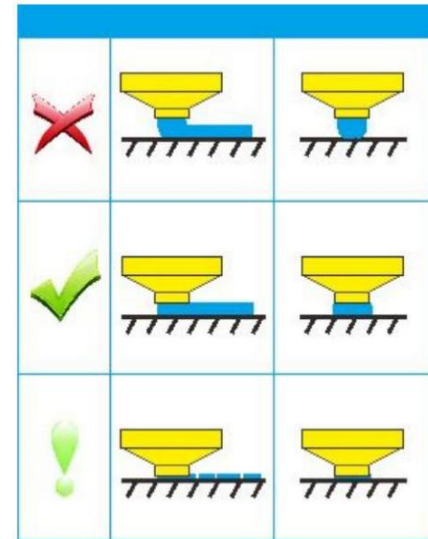
7. Bed Leveling pt.1



1. Slightly tighten the four levelling nuts at the bottom of the platform before initial levelling.
2. Select "Settings" → "Level mode" , click on the number ②.

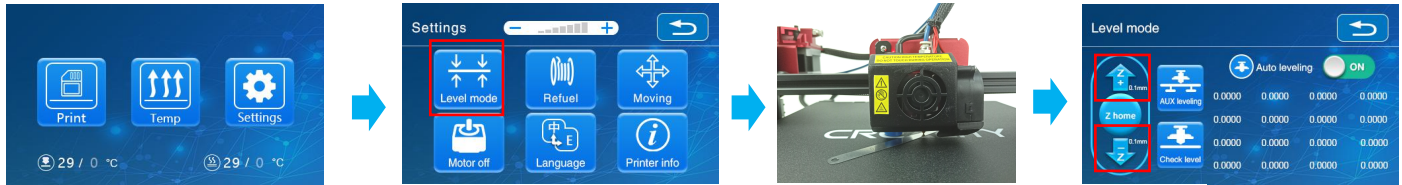


3. Adjust the platform height by turning the knob underneath. Use a piece of A4 paper (standard printer paper) to assist with the adjustment, making sure that the nozzle lightly presses on the paper.
4. Complete the adjustment on all 4 corners.
5. Click the number ① to test the platform height in the middle.
6. Repeat above steps one or two times if necessary.



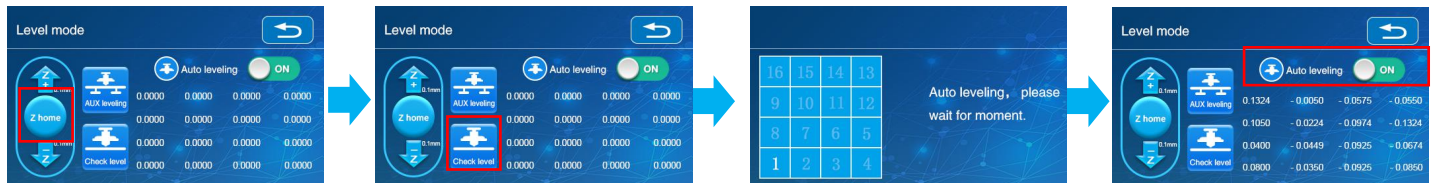
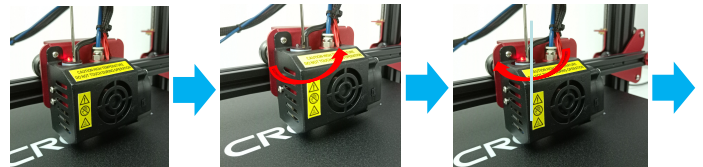
7. Bed Leveling pt. 2

◆ Automatic leveling



1. In “Settings” → “Leveling mode” → Place the .2mm feeler gauge between the nozzle and the hot bed → If the gap is too thin or too large, click “Z+” or “Z-” on the interface to adjust the gap to slightly more than 0.2 mm (the distance between the nozzle and the hot bed should be about 0.25 mm). At 0.2 mm the feeler can easily pass through the gap between the nozzle and the printing platform.

2. To adjust position of the auto-level sensor, turn the sensor clockwise to lower it and counter-clockwise to raise it.
3. If the LED is lit, raise the auto-level sensor by turning it counter clockwise.
4. The slowly turn the sensor clockwise until you see the LED light up again.



Restore hotend to original home position

Auto-level the printing surface

16 point precise bed height measurement

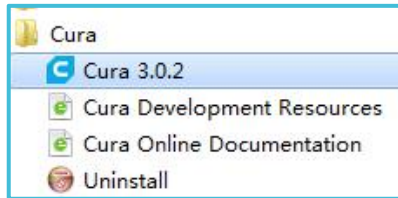
Printer will automatically compensate for variable bed height

*When using the auto level feature on the CR-10S Pro, we suggest adding a raft from the build plate adhesion section in Cura's settings.

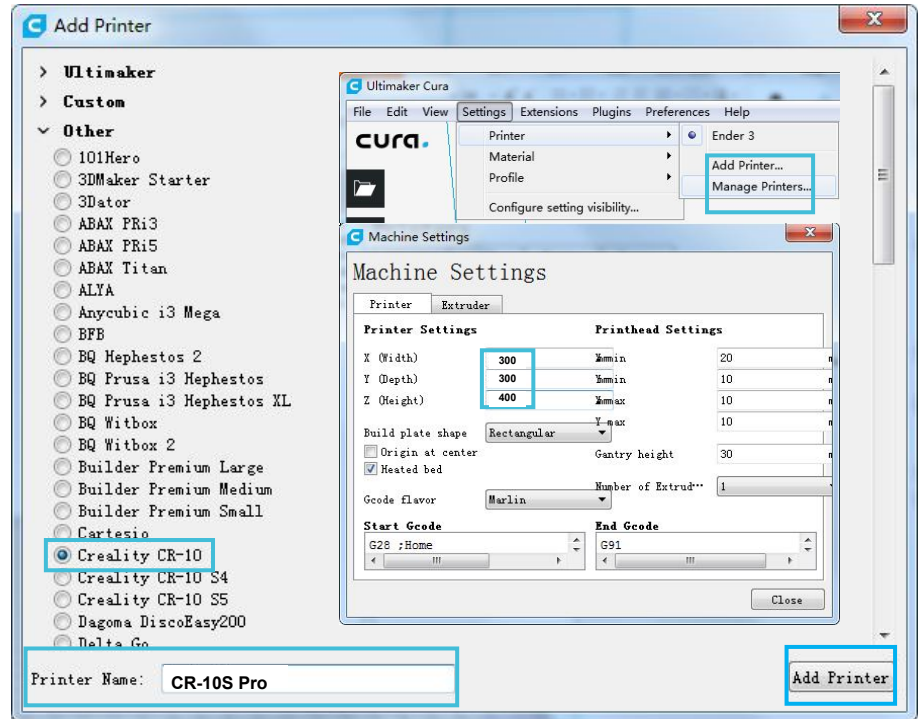
8. Software Installation



1. Double click the Cura icon to install the Cura Slicing Software.



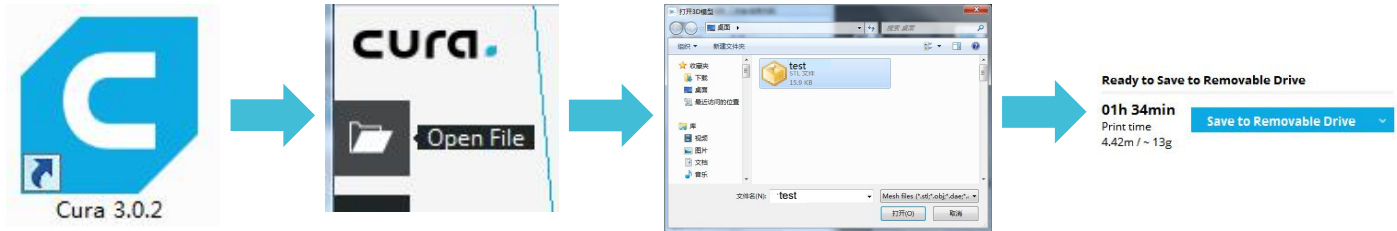
2. Start Cura 3.0.2 from the Start Menu.



3. Select Other→Creality CR-10→ Rename the printer: CR-10S Pro →Add Printer.
4.Settings→Printer→Manage Printers...
5.Change Printer Settings to (300,300,400) .

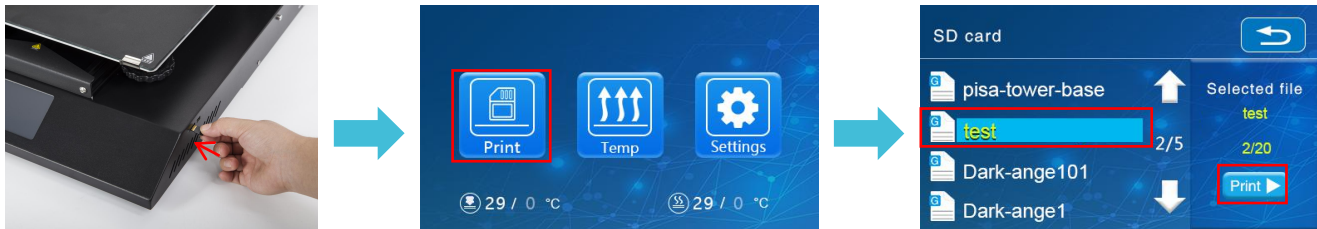
9. The First Print

1. Slice



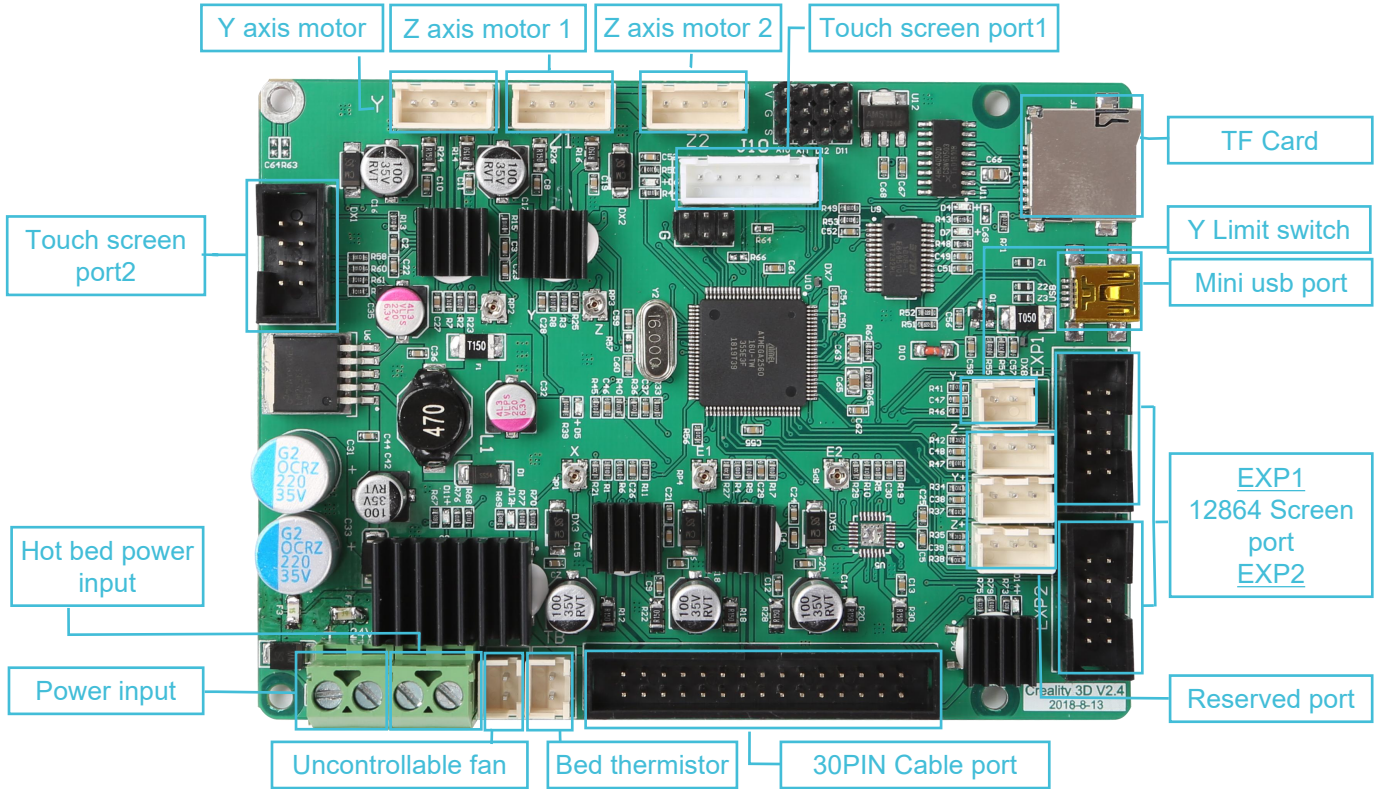
Open Cura → Open File → Select Model → Slice Model → Save to Removable Drive

2. Print



Insert the TF card → Print → Select Model → Print

10. Circuit Wiring



11. After- Sales Service

After-Sales Service Terms

- 1.We provide a 12-month warranty on 3D printers (excluding the nozzle assembly) purchased on or after January 1, 2017 and a 3-month warranty on the nozzle assembly thereof. Products purchased before January 1, 2017 whose warranty periods have not expired are subject to the original warranty terms.
- 2.The warranty period of each product starts from the date of production. Any product with renewed warranty period is subject to the renewed warranty terms.
- 3.Within the warranty period, we will provide free accessories to replace those damaged during the operation in accordance with the instructions for use which are not caused by user negligence (determined by our professional assessment).
- 4.We will continue to provide warranty services for any product having been repaired as long as its warranty period has not expired.
- 5.In case of any problem, you may find the solutions in the instructions for use or search for the solutions on our official website (www.creality3d.cn) or contact us via phone or email.
- 6.We provide free remote technical support for every consumer during the service life of the product. You may request solutions from our after-sales team via phone or email within working hours. For any request submitted beyond the normal working hours, we will reply as soon as possible.
- 7.Please provide completed after-sales service card or S/N number when applying for the warranty service. Otherwise, warranty services may be refused.
- 8.We are entitled to refuse warranty claims for any fault or damage due to failure to follow instructions for use, including but not limited to (i) unauthorized modification; (ii) incorrect installation or use; (iii) use of any third-party component; (iv) use of any non-specified software; (v) use of low-quality filament; (vi) use under non-specified environment; and (vii) misuse (overload) or improper maintenance (corrosion or oxidation).
- 9.We are entitled to refuse to provide warranty services for any fault or damage due to force majeure, including but not limited to fire, earthquake, lightning stroke, flood, violent conflict, etc.
- 10.We provide after-sales services between 8:30 and 21:30 every day from Monday to Saturday, except official holidays.

After-sales Service Card

Product Name: _____

Purchase Date: _____

S/N No.: _____

Purchased Channel: _____

Fault description: _____

User Name: _____

User Tel: _____

User Email: _____

Return Address: _____

To be the Chief Evangelist



Facebook QR code

Shenzhen Creality3D Technology CO.,LTD.

Tel:+86 755-2103 4006

Official Website :www.creality3d.cn

Company Address:12/F, Block 3,JinChengYuan,Tongsheng Community,
Dalang, Longhua District,Shenzhen,China,518109

